

Instruction and operation manual

S 230/231 S 230 Ex/231 Ex

Dew point sensor



Dew point sensor with optional hazardous approval for applications in demanding industrial applications and hazardous environments

Dear Customer,

Thank you for choosing our product.

The operating instructions must be observed before you start up the device. The manufacturer cannot be held liable for any damage which occurs as a result of non-observance or non-compliance with this manual.

Should the device be tampered with in any manner other than a procedure which is described and specified in the manual, the warranty is cancelled and the manufacturer is exempt from liability.

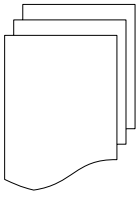
The device is destined exclusively for the described application.

SUTO offers no guarantee for the suitability for any other purpose. SUTO is also not liable for consequential damage resulting from the delivery, capability or use of this device.

Table of contents

1. Safety instructions.....	4
2. Application.....	7
3. Features.....	7
4. Technical data.....	8
4.1 General.....	8
4.2 Electrical data.....	8
4.3 Output-signals.....	9
4.4 Accuracy	9
5. Dimensional drawing.....	10
6. Installation.....	11
6.1 General installation considerations.....	11
6.2 Medium temperature	11
6.3 Cable entries.....	11
6.4 Fuse.....	11
6.5 Determination of the installation point.....	11
6.6 Installation requirements.....	12
6.7 Sensor installation to compressed air / gas	12
6.8 Electrical connection	14
7. Ex version S 230 Ex / 231 Ex.....	14
7.1 Special conditions for the Ex version.....	14
7.2 Examination certificates, certificate of conformity.....	15
7.3 Intrinsic safety ratings and parameters.....	15
7.4 Name plates.....	15
7.5 Installation.....	17
7.5.1 General installation considerations.....	17
7.5.2 Cable entries.....	17
7.6 Potential equalization.....	17
7.7 Service kit.....	17
7.8 Back cover / security seal.....	18
7.9 Used standards.....	19
8. Signal outputs.....	20
8.1 Analogue output.....	20
8.2 Modbus output	20
9. Optional extra accessories.....	21
9.1 Measuring chambers	21
9.2 Service kit.....	21
10. Calibration.....	22
11. Maintenance.....	22
12. Disposal or waste.....	23
13. Warranty.....	23

1. Safety instructions



Please check if this instruction manual accords to the product type.

Please observe all notes and instructions indicated in this manual. It contains essential information which must be observed before and during installation, operation and maintenance. Therefore this instruction manual must be read carefully by the technician as well as by the responsible user / qualified personnel.

This instruction manual must be available at the operation site of the dew point sensor at any time. In case of any obscurities or questions, regarding this manual or the product, please contact the manufacturer.



This document contains important information for the installation and operation of the dew point sensor in explosive environments (See chapter 7). Please read the instructions carefully and follow the instructions mentioned in this manual.

- Do not exceed the maximum permitted pressure range (see sensors label).
- The installation and the supply connection must be done in compliance with national regulations.
- The compliance with all of the technical data of the device is mandatory (see also nameplate).
- When opening the enclosure make sure that no dust or moisture enters into the casing.
- Ensure that cable entries are tightly sealed
- Materials which come in contact with the medium are of stainless steel and of sealing rubber NBR.



WARNING!

Compressed air!

Any contact with quickly escaping air or bursting parts of the compressed air system can lead to serious injuries or even death!

- Do not use S 230 / 231 in hazardous environment without the optional hazardous approval rating.
- Do not exceed the maximum permitted pressure range (see sensors label).
- Only use pressure tight installation material.
- Avoid that persons get hit escaping air or bursting parts of the instrument.
- The system must not be pressurized during maintenance work.
- Consider all regulations for electrical installations.
- The system must be disconnected from any power supply during maintenance work.
- Any electrical work on the system is only allowed by authorized qualified personal.

**WARNING!****Permitted operating parameters!**

Observe the permitted operating parameters, any operation exceeding this parameters can lead to malfunctions and may lead to damage on the instrument or the system.

- Do not exceed the permitted operating parameters.
- Make sure the product is operated in its permitted limitations.
- Do not exceed or undercut the permitted storage and operation temperature and pressure.
- The product should be maintained and calibrated frequently, at least annually.

General safety instructions

- It is not allowed to use the product S 230 / 231 in explosive areas.
- Please observe the national regulations before/during installation and operation.

Remarks

- It is not allowed to disassemble the product.
- Always use spanner to mount the product properly.

**ATTENTION!**

Measurement values can be affected by malfunction!

The product must be installed properly and frequently maintained, otherwise it may lead to wrong measurement values, which can lead to wrong results.

Storage and transportation

- Make sure that transportation temperature of the sensor is between -30 °C ... 70 °C.
- For storage and transportation it is recommended to use the packaging which comes with the sensor.
- Please make sure that the storage temperature of the sensor is between 0 °C ... 50 °C.
- Avoid direct UV and solar radiation during storage.
- For the storage the humidity must be <90 %, no condensation.

2. Application

The S 230/231/S 230 Ex/231 Ex is a dew point sensor which is designed to monitor the dew point in hazardous environments and industrial application within the permissible operating parameters.

The S 230/231/S 230 Ex/231 Ex measures the following values:

- Dew point of the compressed air or gas.
- Temperature of the compressed air or gas.
- Other selectable moisture units such as: relative humidity [%], absolute humidity [g/m^3 , mg/m^3], humidity grade [g/kg], humidity ratio by volume [ppm_v] of the compressed air or gas.

The default factory settings are: temperature in °C and dew point in °C. Other units can be programmed by the service kit.

3. Features

- Double sensor technology for best accuracy over the whole range from -100 °C ... $+20\text{ °C}$ dew point in S 230 and S 230 Ex.
- Robust industrial design
- Outputs: 1 x 4 ... 20 mA, RS-485 (Modbus).
- IP67 casing provides robust protection in rough industrial environment.
- Very fast response time ensures safe and reliable indication whenever dew points are out of valid ranges.
- High accuracy

4. Technical data

4.1 General

Parameters	Dew point: °C or °F Temperature: °C or °F Other moisture units: - Relative humidity [%] - Absolute humidity [g/m ³ , mg/m ³] - Humidity grade [g/kg] - Humidity ratio by volume [ppm _v]
Sensor	S 230 / S 230 Ex: Quartz crystal and polymer sensor S 231 / S 231 Ex: Polymer sensor
Measuring medium	Non-corrosive gases
Measuring range	Dew point: • S 230 / S 230 Ex: -100 °C ... +20 °C • S 231 / S 231 Ex: -50 °C ... +20 °C Temperature: -30 °C ... 70 °C
Response time T ₉₀	< 240 sec (-20 → -60 °C) < 30 sec (-60 → -20 °C)
Ambient temperature	0 °C ... 50 °C
Transport temperature	-30 °C ... 70 °C
Casing material	Process connection: stainless steel Casing: aluminium alloy
Protection class	IP67
Dimensions	See dimensional drawing on page 10.
Process connection	G ½" thread (ISO 228/1)
Weight	0.4 kg

4.2 Electrical data

Power supply	10 ... 30 VDC / 30 mA
--------------	-----------------------

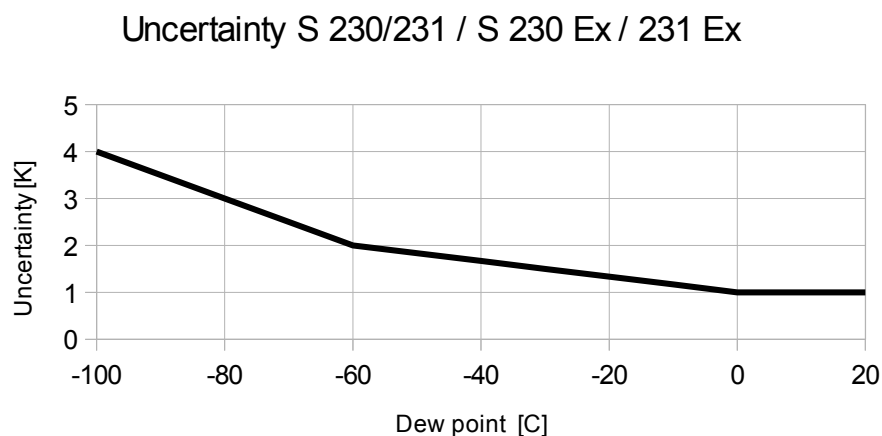
4.3 Output-signals

Analogue output	4 ... 20 mA, isolated
Analogue output scaling (default: dew point)	S 230 / S 230 Ex: 4 mA = -100 °C 20 mA = +20 °C S 231 / S 231 Ex: 4 mA = -50 °C 20 mA = +20 °C
RS-485	Modbus/RTU

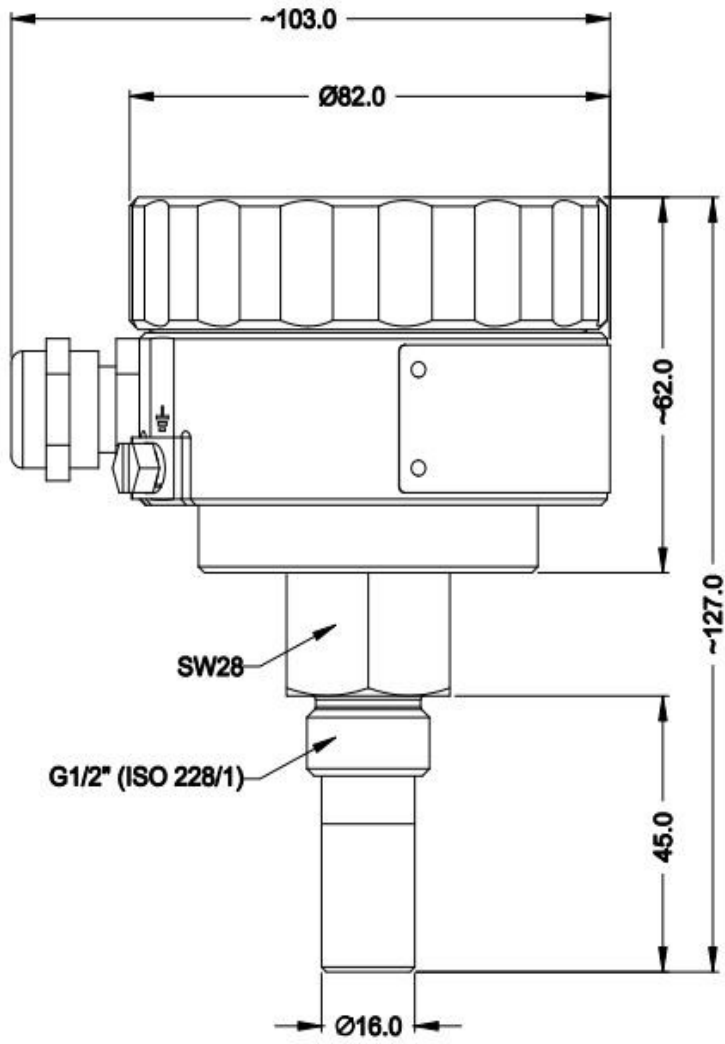
4.4 Accuracy

Accuracy	Dew point: see chart below Temperature: 0.3 °C
Repeatability	± 1.0 °C
Stated accuracy at	Ambient/process temperature: 23 °C ± 3 °C Process temperature: 23 °C ± 3 °C Ambient/process humidity <95%, no condensation Airflow > 2 l/min at sensor tip

Accuracy:



5. Dimensional drawing



6. Installation

6.1 General installation considerations

- The dew point sensor is only allowed to be used in the permitted temperature class.
- For ambient temperatures below -20 °C cables, drain plugs, cable glands and cable entries must be suitable and certified.

6.2 Medium temperature



ATTENTION!

The minimum temperature for compressed air or gas is -30 °C .

6.3 Cable entries

The cable glands/entries must be secured to prevent working loose and the seals must be installed immediately adjacent to the casing.

Please ensure that the cable entries and cable glands are leak-tight!

The cables used must be manufactured in a way that the build-up of electrostatic charges are avoided!

6.4 Fuse

The power supply for the flow transmitter needs to have a fuse with following specification:

Voltage 16 to 30 DC, fuse 0.5 A slow blow (cutoff capacity 1500A)

6.5 Determination of the installation point

In order to maintain the accuracy stated in the technical data, the sensor must be installed correctly. The air must flow on to the sensor tip, otherwise it will lead to wrong measurement values. For further instructions, please read the next chapter carefully.

Please consider that enough space exists at your site for a adequate installation as described in this manual.

**ATTENTION!**

Wrong measurement is possible, if the sensor is not installed correctly.

It is strongly recommend not to install S 230/231/ S 230 Ex/231 Ex permanently in wet applications such as the compressor outlet.

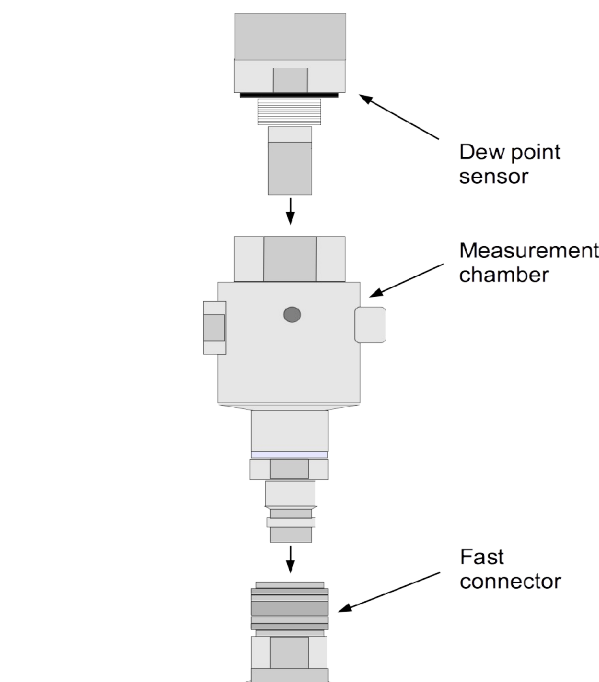
6.6 Installation requirements

The flowing air or gas must pass the sensor tip for a proper measurement. This can be realized with a measurement chamber. For a installation without measuring chamber you need to concern the installation depth which is described in the next chapter.

6.7 Sensor installation to compressed air / gas

The following steps explain the procedure of an appropriate installation.

Installation of the sensor with measurement chamber

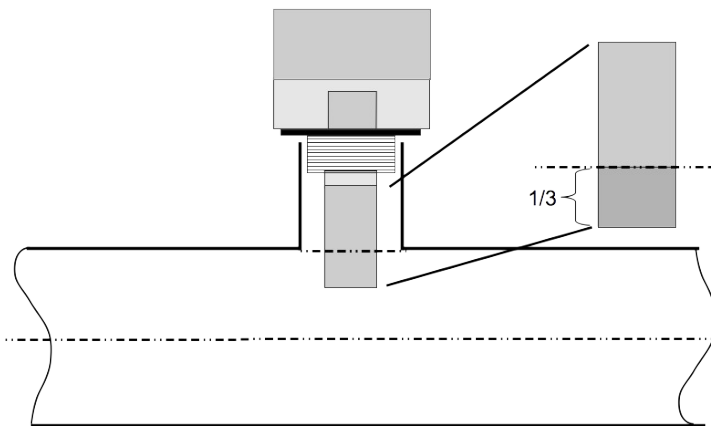


1. connect the sensor with the measurement chamber.
2. Connect the sensor and the measurement chamber with the fast connector.

Attention:

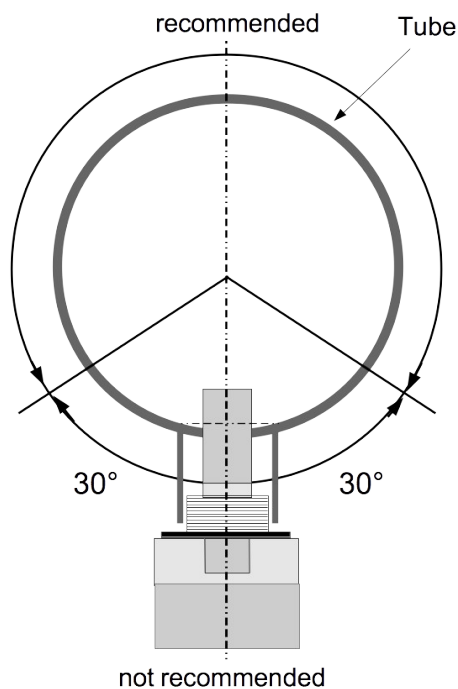
For explosive gas application, installation with measurement chamber is not allowed!

Installation of the sensor without measurement chamber



- Install the sensor only if the system is not pressurized.
- Not less than 1/3 of the sensor tip should be inside of the pipe. For this please check the size of the nozzle.
- The inner thread must be G 1/2".

Remarks

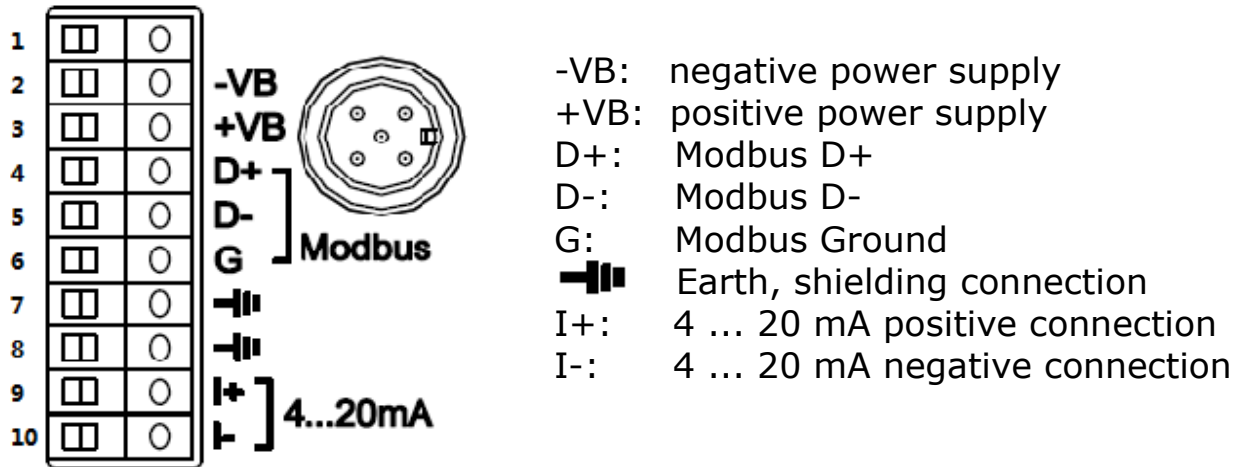


Please install the sensor only in the recommended area as you can see in the picture. A upside down installation is not permitted. Please consider that the distance to the vertical level must be $>30^\circ$.

Removal of the sensor

To remove the sensor unscrew the sensor from the measurement chamber or from the nozzle. Please observe that the system is not pressurized when the sensor is removed.

6.8 Electrical connection



7. Ex version S 230 Ex / 231 Ex

7.1 Special conditions for the Ex version

- Ambient temperature range between 0°C and +50°C.
- Do not separate when energized.
- Do not open in hazardous area.
- Integration into the potential equalization is carried out via the installation.
- The device must only be operated with a fuse with a 1500A cut-off capacity.
- The operating instructions must be observed.
- The intrinsically safe maximum values can be found in Section 7.3.



Special Attention!

Integration into the potential equalization is carried out via the installation.

The device must be connected to the potential equalization system.

7.2 Examination certificates, certificate of conformity

The system meets the fundamental health and safety requirements for the design and construction of devices and protective systems intended for use in potentially explosive atmospheres in accordance with directive 2014/34/EU.

7.3 Intrinsic safety ratings and parameters

Electrical parameters supply and signal circuit in type of protection intrinsic safety Ex ib IIC:

- Maximum input power (Pi): 1 W
- Maximum input voltage (Ui): 30 V
- Maximum input current (Ii): 30 mA
- Maximum effective internal inductance (Li): 220 μ H
- Maximum effective capacity (Ci): 13 μ F

7.4 Name plates

Below are the name plates when ordered with hazardous approval.

ATEX:

Manufacturer: SUTO iTEC (China) Co.Ltd.

Address : No. 1001 Zhongshanyuan Rd., Nanshan, Shenzhen, PRC

○	S 230 Ex Item number : S699 0230 Serial number : 2717 0001 Supply : 10 ... 30 VDC, 1 W Tmed : -30 ... +70 °C (T4) Tamb : 0 ... +50 °C Max. pressure : 1.6 MPa Range TD : -100 ... +20 °C	SUTO iTEC (China) Co. Ltd. No. 1001 Zhongshanyuan Rd., Nanshan, Shenzhen, PRC		 www.suto-itec.com	○
		II 2G Ex db [ib] IIC T4 Gb PTZ 18 ATEX0034 X   2572	Caution! - Please read instruction manual before working on device. - The device should be opened in a non-explosive atmosphere or in a de-energized state where a delay of 5 minutes after power down has to be ensured.		

○	S 231 Ex Item number : S699 0231 Serial number : 2717 0001 Supply : 10 ... 30 VDC, 1 W Tmed : -30 ... +70 °C (T4) Tamb : 0 ... +50 °C Max. pressure : 35 MPa Range TD : -50 ... +20 °C	SUTO iTEC (China) Co. Ltd. No. 1001 Zhongshanyuan Rd., Nanshan, Shenzhen, PRC		 www.suto-itec.com	○
		II 2G Ex db [ib] IIC T4 Gb PTZ 18 ATEX0034 X   2572	Caution! - Please read instruction manual before working on device. - The device should be opened in a non-explosive atmosphere or in a de-energized state where a delay of 5 minutes after power down has to be ensured.		

ATEX:

Manufacturer: SUTO iTEC GmbH

Address : Werkstrasse 2, D-79426 Buggingen, Germany

○	S 230 Ex Item number : S699 0230 Serial number : 2717 0001 Supply : 10 ... 30 VDC, 1 W Tmed : -30 ... +70 °C (T4) Tamb : 0 ... +50 °C Max. pressure : 1.6 MPa Range TD : -100 ... +20 °C	SUTO iTEC GmbH Werkstrasse 2, D-79426 Buggingen, Germany	 www.suto-itec.com	○
		II 2G Ex db [ib] IIC T4 Gb PTZ 17 ATEX 0009 X 	Caution! - Please read instruction manual before working on device. - The device should be opened in a non-explosive atmosphere or in a de-energized state where a delay of 5 minutes after power down has to be ensured.	

○	S 231 Ex Item number : S699 0231 Serial number : 2717 0001 Supply : 10 ... 30 VDC, 1 W Tmed : -30 ... +70 °C (T4) Tamb : 0 ... +50 °C Max. pressure : 35 MPa Range TD : -50 ... +20 °C	SUTO iTEC GmbH Werkstrasse 2, D-79426 Buggingen, Germany	 www.suto-itec.com	○
		II 2G Ex db [ib] IIC T4 Gb PTZ 17 ATEX 0009 X 	Caution! - Please read instruction manual before working on device. - The device should be opened in a non-explosive atmosphere or in a de-energized state where a delay of 5 minutes after power down has to be ensured.	

IECEX:

Manufacturer: SUTO iTEC (China) Co.Ltd.

Address : No. 1001 Zhongshanyuan Rd., Nanshan, Shenzhen, PRC

○	S 230 Ex Item number : S699 0230 Serial number : 2717 0001 Supply : 10 ... 30 VDC, 1 W Tmed : -30 ... +70 °C (T4) Tamb : 0 ... +50 °C Max. pressure : 1.6 MPa Range TD : -100 ... +20 °C	SUTO iTEC (China) Co. Ltd. No. 1001 Zhongshanyuan Rd., Nanshan, Shenzhen, PRC	 www.suto-itec.com	○
		Ex db [ib] IIC T4 Gb IECEX PTZ 17.0004 X 	Caution! - Please read instruction manual before working on device. - The device should be opened in a non-explosive atmosphere or in a de-energized state where a delay of 5 minutes after power down has to be ensured.	

○	S 231 Ex Item number : S699 0231 Serial number : 2717 0001 Supply : 10 ... 30 VDC, 1 W Tmed : -30 ... +70 °C (T4) Tamb : 0 ... +50 °C Max. pressure : 35 MPa Range TD : -50 ... +20 °C	SUTO iTEC (China) Co. Ltd. No. 1001 Zhongshanyuan Rd., Nanshan, Shenzhen, PRC	 www.suto-itec.com	○
		Ex db [ib] IIC T4 Gb IECEX PTZ 17.0004 X 	Caution! - Please read instruction manual before working on device. - The device should be opened in a non-explosive atmosphere or in a de-energized state where a delay of 5 minutes after power down has to be ensured.	

7.5 Installation

7.5.1 General installation considerations

Cables and pipe entries must be certified (Ex d IIC) and must be suitable for operating temperatures of up to 105 °C. When using pipe entries, the associated sealing equipment must be fitted directly at the housing.

7.5.2 Cable entries

The cable glands/entries must be secured to prevent working loose and the seals must be installed immediately adjacent to the casing.

Please ensure that the cable entries and cable glands are leak-tight!

The cables used must be manufactured in a way that the build-up of electrostatic charges are avoided!

Only following cable gland is allowed to be used and can be ordered at SUTO:

	Hummel Order No.	Description	Thread size	Cable entry
Gland	1.622.1600.50	HSK-M-Ex-d/Metr	M16 x 1.5	5 ... 10 mm

Cable outer diameter must be between 5.0 ... 10 mm!

7.6 Potential equalization

For the safety of the operation in explosive environment the potential equalization is very important. The device has a screw terminal outside the enclosure to connect the earth signal.

The device can also be integrated to the equalization through the pipeline as long the earth connection is conform to regulations.

7.7 Service kit

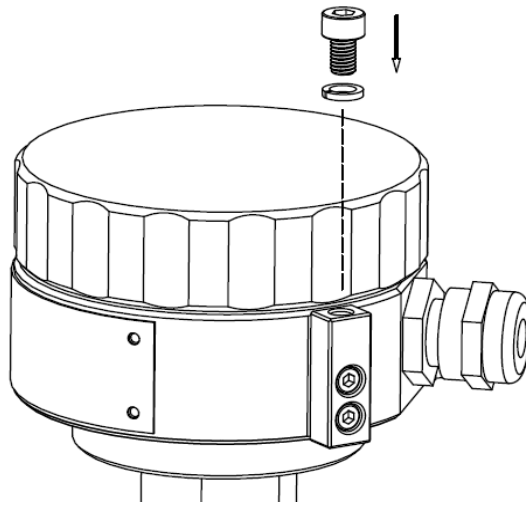
No connection of service-kit or any other devices are permitted if the atmosphere is considered to be explosive.

Alternatively device settings can be done through the Modbus interface

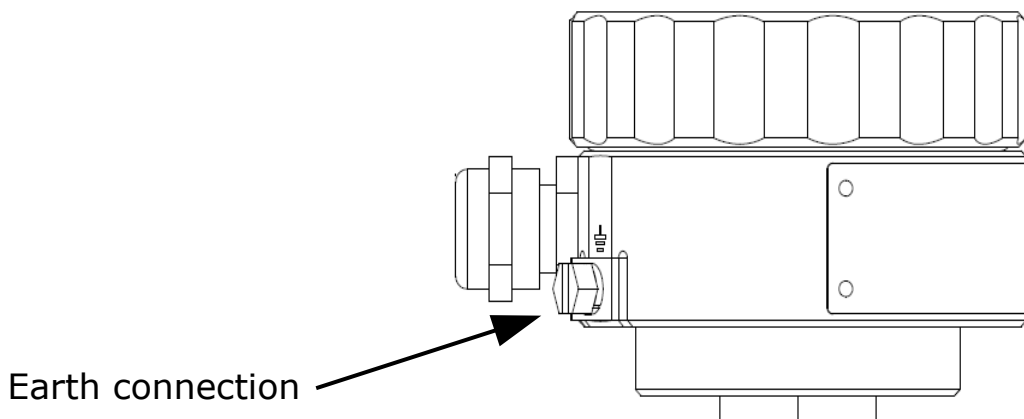
from a remote location (non-explosive area) if the cable is installed.
Please contact our service for available devices and software.

7.8 Back cover / security seal

The Back cover of the sensor is secured with a screw to avoid the opening of the cover by unauthorized persons. Please ensure that the security screw is tighten up after finishing the installation!



Security screw at back cover



Earth connection

7.9 Used standards

ATEX:

EN 60079-0:2012+A11:2013

EN 60079-1:2014

EN 60079-11:2012

IECEX:

IEC 60079-0:2011 6th edition

IEC 60079-1:2014 7th edition

IEC 60079-11:2011 6th edition

8. Signal outputs

8.1 Analogue output

The sensor has an analogue output range of 4 ... 20 mA. The signal is isolated from the power supply. This output is scaled to:

	S 230 / S230 Ex	S 231 / S 231 Ex
4 mA	-100 °C	-50 °C
20 mA	+20 °C	+20 °C

Ex factory the dew point signal is routed to the analogue output. However the user can choose other moisture signals to be used instead. Please contact our service for assistance.

8.2 Modbus output

Mode : RTU
 Baud rate : 19200
 Device address : 1
 Framing / parity / stop bit : 8, N, 1
 Response delay : 0 ms
 Inter-frame spacing : 7 char

Remarks

Modbus communication settings can be changed by the service software.

Holding register	Channel description	Format
1	Temperature	FLOAT
3	Relative humidity	FLOAT
5	Reserved	FLOAT
7	Pressure dew point	FLOAT
9	Alternative measurement unit	FLOAT
41	Temperature unit	INTEGER
43	Relative humidity unit	INTEGER
45	Reserved	INTEGER
47	Pressure dew point unit	INTEGER

Holding register	Channel description	Format
49	Alternative humidity unit	INTEGER
51	Status	INTEGER

Remarks:

- Data length is always 4 Byte
- FLOAT representation according to IEEE 754
- The physical units are coded according to the table below
- Status definition:

Bit2	DP over range
Bit3	Temperature over range
Bit6	Calibration overdue
Bit7	EEPROM broken
Bit8	DP sensor broken
Bit10	QCM sensor broken
Bit11	NTC broken

Unit Table:

Temperature in °C	1	Absolute humidity in mg/m ³	7
Temperature in °F	2	Mixing ration in g/kg	8
Relative humidity in %	3	Absolute humidity in g/m ³	9
Dew point in °C	4	Parts per million in ppm _v	30
Dew point in °F	5	Atmospheric dew point in °C	31
Mixing ratio in mg/kg	6	Atmospheric dew point in °F	32

9. Optional extra accessories**9.1 Measuring chambers**

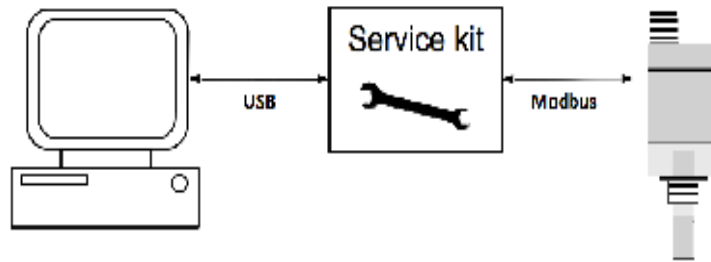
There are different types of measuring chambers for example Measuring chamber with fast connector, by-pass-by chamber with in and out connection, measuring chamber for dryer installation or high pressure chamber. For more information please contact your retailer or the manufacturer.

9.2 Service kit

The service kit is used to connect the sensor with the PC. Sensor

parameters such as analogue output scaling, alarm values, units etc. can be easily changed by using the service kit.

The diagram below shows the connection when using the optional service kit. In case the sensor is connected with power supply and Modbus to a master device, **please remove the Modbus connection.** first before connecting the service kit.



10. Calibration

The sensor is calibrated ex work. The exact calibration date is printed on the certificate which is supplied together with the sensor. The accuracy of the sensor is regulated by the on site conditions, parameters like oil, high humidity or other impurities can affect the calibration and furthermore the accuracy. However we recommend to calibrate the instrument at least once per year. The calibration is excluded from the instruments warranty. For this please contact the manufacturer.

11. Maintenance

Please observe from time to time the sinter cap. If it appears to be dirty, it is recommended to replace it for this please contact the manufacturer.



ATTENTION!

A dirty/wet/contaminated sinter cap or sensor tip may lead to a longer response time and to wrong measurements.

12. Disposal or waste



Electronic devices are recyclable material and do not belong in the household waste.

The sensor, the accessories and its packings must be disposed according to your local statutory requirements.

The dispose can also be carried by the manufacturer of the product, for this please contact the manufacturer.

13. Warranty

SUTO provides a warranty for this product of 24 months covering the material and workmanship under the stated operating conditions from the date of delivery. Please report any findings immediately and within the warranty time. If faults occurring during the warranty time SUTO will repair or replace the defective unit, without charge for labour and material costs but there is a charge for other service such as transport and packing costs.

Excluded from this warranty is:

- Damage caused by:
 - Improper use and non-adherence to the instruction manual.
 - Use of unsuitable accessories.
 - External influences (e.g. damage caused by vibration, damage during transportation, excess heat or moisture).

The warranty is cancelled:

- If the user opens the measurement instrument without a direct request written in this instruction manual.
- If repairs or modifications are undertaken by third parties or unauthorised persons.
- If the serial number has been changed, damaged or removed.

Other claims, especially those for damage occurring outside the instrument are not included unless responsibility is legally binding.

Warranty repairs do not extend the period of warranty.

SUTO iTEC GmbH

Werkstr. 2
79426 Buggingen
Germany

Tel: +49 (0) 7631 936889-0
Fax: +49 (0) 7631 936889-19
Email: sales@suto-itec.com
Website: <http://www.suto-itec.com>

SUTO iTEC (ASIA) Co., Ltd.

Room 10, 6/F, Block B, Cambridge Plaza
188 San Wan Road, Sheung Shui, N.T.
Hong Kong

Tel: +852 2328 9782
Fax: +852 2671 3863
Email: sales@suto-itec.asia
Website: <http://www.suto-itec.com>

All rights reserved ©

Modifications and errors reserved.

Edition: S230_231_im_en_2018-1